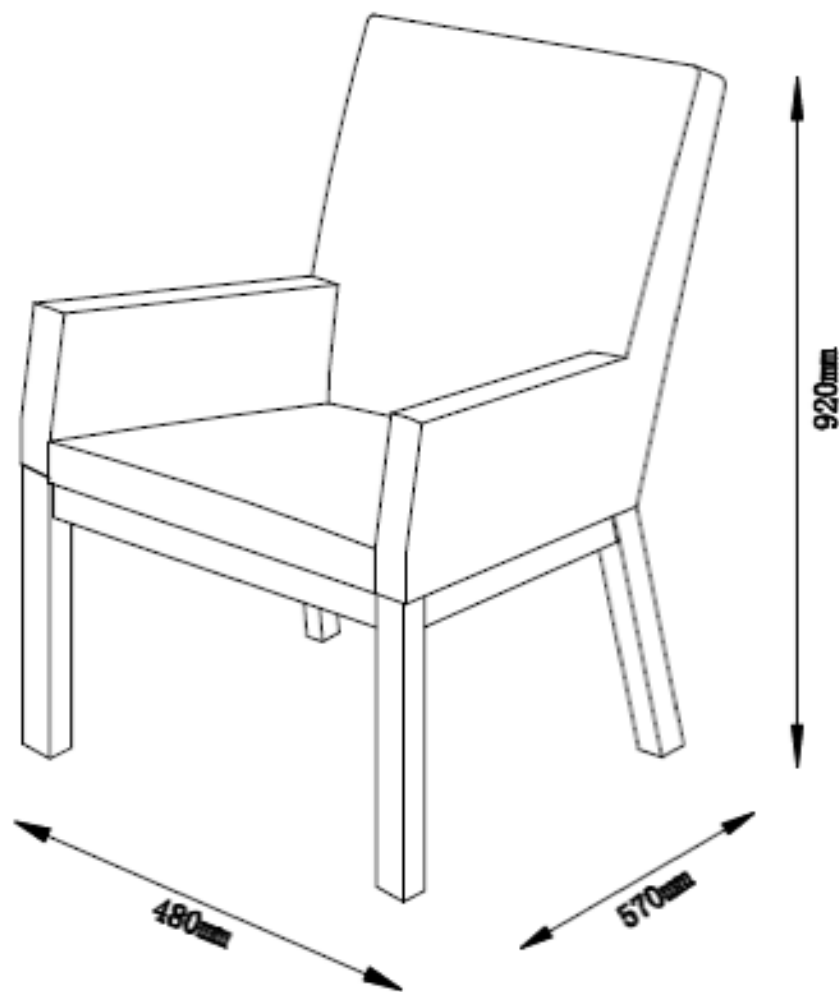


Amart
Furniture

SIGNATURE
— COLLECTION —

ASSEMBLY INSTRUCTION
DIMITRI DINING CHAIR
ITEM CODE 64476



Imported by Amart Furniture Pty Ltd, Qld, Brisbane Australia.
For any assistance with assembly or for missing parts please phone
Amart Furniture, Customer Service Free call 1800 351 084

CARE AND MAINTENANCE GUIDE FOR YOUR DIMITRI DINING CHAIR

REGULAR CARE:

- Protect from direct sunlight
- Vacuum regularly using low suction

CLEANING:

- Do not wash , Do not dry clean , Do not shampoo clean
- Clean with hot water extraction machine. Professional cleaning recommended
- Do not use dishwashing liquid or laundry detergent
- Use only upholstery detergents
- Do not wet filling
- Dry in shade away from direct heat and sunlight
- Allow to dry thoroughly before re-use

SPOT CLEANING:

- Do not rub
- Do not spot clean with any solvent
- Treat spills and stains as soon as possible
- Gently scrape off any soil or mop any liquid from the surface of the fabric
- Apply proprietary cleaning agents strictly according to instructions to remove the residue of the spill
- Do not saturate the fabric or interior with water or other cleaning liquids

WARNING:

Apply only water-based soil resist (fabric protection) treatments. Do not use aerosol products
* PILLING IS NOT A FABRIC DEFECT OR FAULT AND IS NOT COVERED BY WARRANTY
* PILLING IS A NORMAL OCCURRENCE CAUSED BY WEAR AND TEAR AND DOES NOT AFFECT THE DURABILITY OR FUNCTIONALITY OF THE FABRIC AND IS EASILY REMOVED

Do not:

- Use chair/stool as a ladder
- Climb on the chair/stool

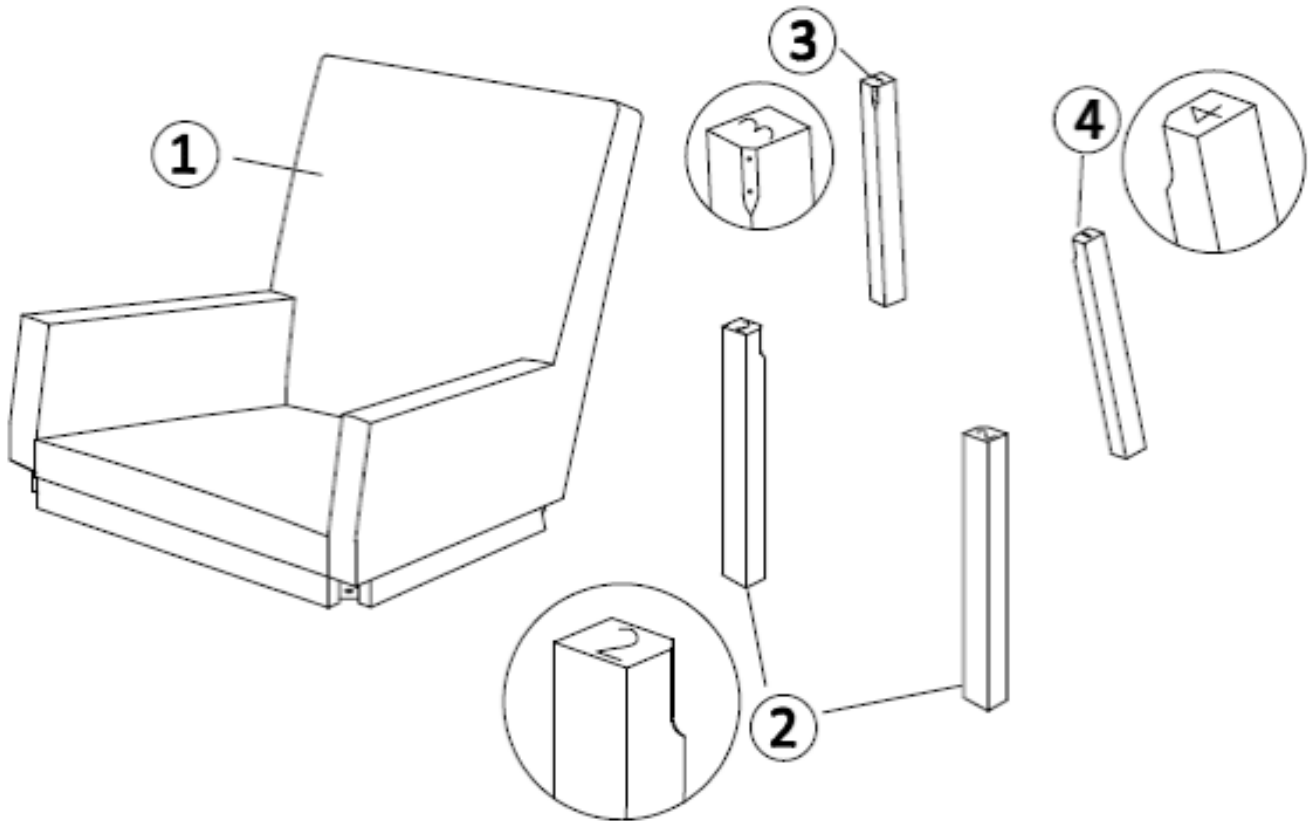
PRE-ASSEMBLY PREPARATION

Before you start:

1. Choose a clean, level, spacious assembly area. Avoid hard surfaces that may damage the product
2. Take care when lifting. Product should be assembled as near as possible to the point of use
3. Ensure that you have all required contents for complete assembly
4. Always read the assembly instructions carefully before beginning assembly.
5. Keep all hardware parts and packaging out of reach of small children.
6. Do not over tighten the screws and bolts as this may damage the threads






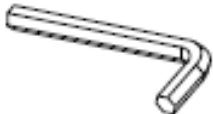
PARTS LIST



ATTENTION!

Legs are numbered and marked as such, they are not interchangeable

1	SEAT BASE
2	FRONT LEGS (2)
3	LEFT REAR LEG (3)
4	RIGHT REAR LEG (4)

A. BOLT 1/4"X80MM  8PCS	B. FLAT WASHER  8PCS	C. LOCK WASHER  8PCS	D. ALLEN KEY  1PCS
--	---	---	---

Step 1: Bolt preparation

Prepare by assembling the 8 bolts, spring washers and washers as shown.

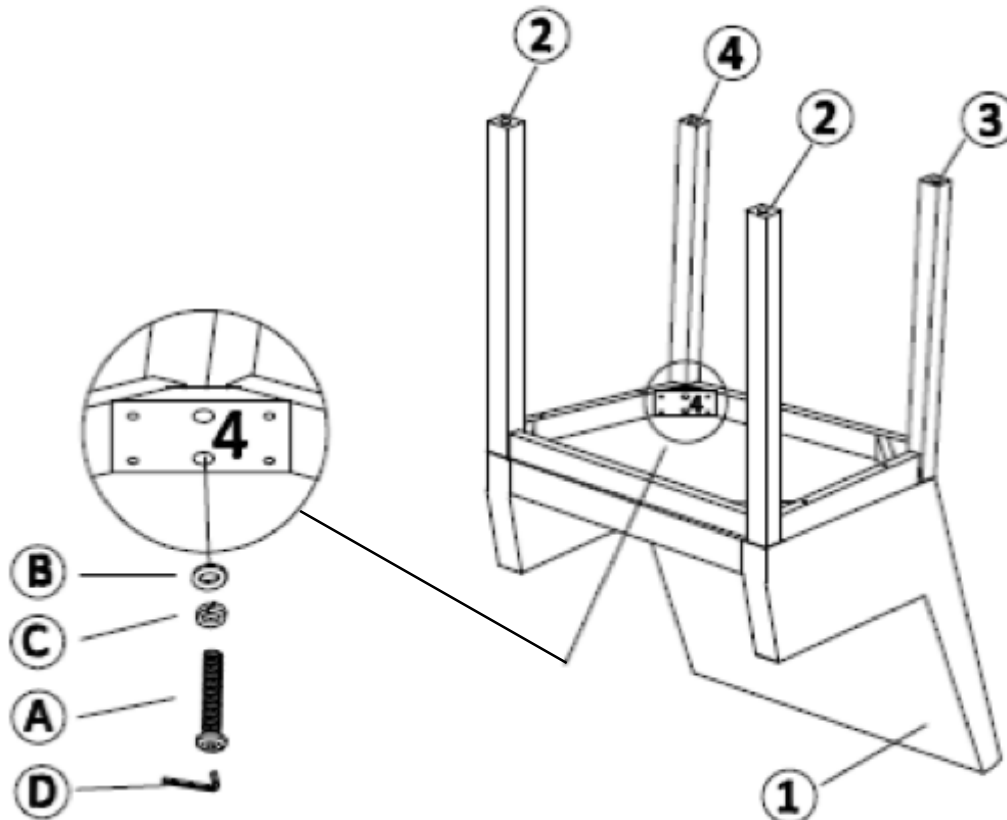


Step 2: Seat base preparation

Place the seat base upside down on an even, protected and flat surface. **Do not leave the seat base unbalanced and unattended in this position.**

Step 3: Inserting the legs

Insert the front legs (2) into the corresponding slots, they are marked. **The front legs are interchangeable and do not distinguish between left and right.** Then insert legs 3 and 4 into their designated slots, these are **not interchangeable**.

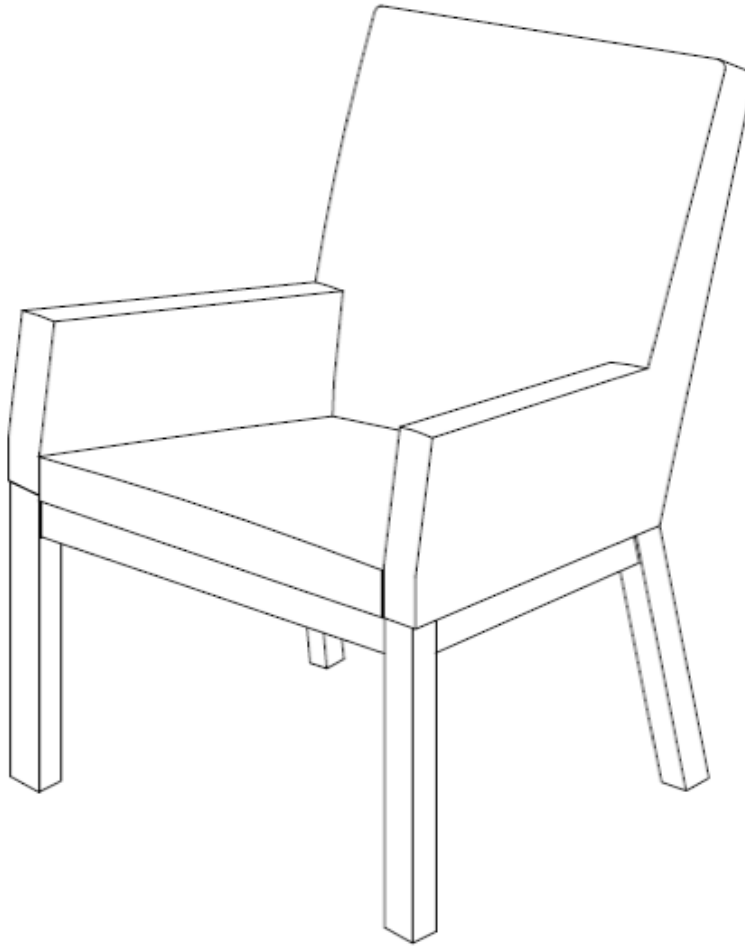


Step 3: Affixing the bolts

Insert the pre-assembled bolts into the holes as shown above. Turn and tighten with Allen key provided (D). On Each leg, start by only fastening each bolt to half way. Once both bolts are in, then tighten both. Bolts should be tightened until all the way in. Large visible gaps between components is a sign of not be tight enough. Also **do not over tighten**, if you hear cracking in the wood, stop. Tighten by hand only. Repeat for the other 3 legs

Hint

Minor Adjustments can be made on the chair's legs for balance by slightly loosening, jiggling and retightening.



Assembly is complete